

In this newsletter

read about

- New exciting switches
- QSPF accessories
- LHG XL 52 ac
- PWR-LINE PRO
- quickMOUNT-X
- 5G mobile network
- Lifehacks
- AI driving supercars
- Upcoming MUM

CRS326-24S+2Q+RM

Our fastest switch for the most demanding setups

If you are working with substantial amount of data – like providing Internet access or maintaining a huge data center – this is the perfect upgrade for your setup. **CRS326-24S+2Q+RM** is our first product with 40 Gbps QSFP+ ports for remarkably fast and stable fiber connection.

Overall it has two 40 Gbps QSFP+ ports and twenty four 10 Gbps SFP+ ports, which provides total non-blocking throughput of 320 Gbps and switching capacity of 640 Gbps with forwarding rate of 252 Mpps with most common packets.



CRS326-24S+2Q+RM is easy to manage – it has a full size USB port for configuration and dual power supply for redundancy – no unexpected downtime, your clients and colleagues will be thankful! You can choose between our legendary feature-packed RouterOS for booting or a simpler, but still powerful SwOS. If you would like the ability to use routing and other Layer 3 features in your CRS, use RouterOS.



This device is great for new or existing networks – we have developed an assortment of accessories that will help you unleash the full potential of this switch in any setup. **CRS326-24S+2Q+RM – a professional's choice!**

[View online](#)

QSFP 40G accessories

We recommend to use these QSFP 40G accessories with our CRS326-24S+2Q+RM, but they are also compatible with other manufacturer's QSFP 40G switches and routers.

Q+DA0001 – a 40 Gbps direct attach QSFP+ cable

Connect two **CRS326-24S+2Q+RM** switches without a hassle – this cable has integrated QSFP+ modules, plug it in and enjoy the speed! The cable is 1 meter long and is fairly flexible – your devices don't have to be on top of each other.

[View online](#)

\$29



Q+85MP01D – the 40 Gbps 850nm optical QSFP+ module

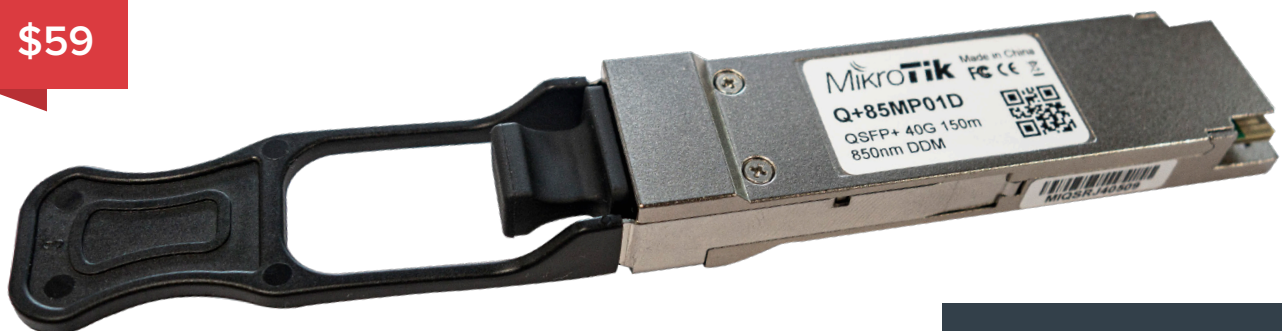
This optical module offers 4 independent full-duplex channels with up to 10 Gbps per channel bandwidth and aggregate bandwidth of 40 Gbps.

It can provide a connection over 100 m on OM3 Multimode Fiber (MMF) and 150 m on OM4 MMF.

The module has built-in digital diagnostic functions, including optical power monitoring, and will perform well in environments up to 70° C.

It has been designed to meet the harshest conditions, including temperature, humidity and EMI interference, so we definitely recommend this as a reliable solution for all your 40 Gbps QSFP+ devices.

\$59



[View online](#)

Q+BC0003-S+ – a 40 Gbps QSFP+ breakout cable to 4x10G SFP+

This cable will let you enjoy all the benefits of our new switch with the 40 Gbps ports without upgrading your whole network setup. You can connect the **CRS326-24S+2Q+RM** to 4 other 10G SFP+ devices in a breeze, since the QSFP+ and SFP+ modules are integrated. The cable is 3 meters long, which should be enough for most setups.

[View online](#)



LHG XL 52 ac

Extremely powerful dual-band backbone / CPE for long-distance connection without downtime

Need a reliable and strong long-distance connection that never goes down? The new **LHG XL 52 ac** will provide just that with its dual-band capability. You can easily setup the 5 GHz channel as the main one with speed up to 600 Mbps and use the 2.4 GHz channel as an automatic backup connection with speed up to 260 Mbps or use both connections at the same time for load balancing.

The powerful 27 dBi 5 GHz / 18 dBi 2.4 GHz antenna will provide connection with link distance up to 40 km+. The grid design ensures protection against wind, it can withstand temperatures from -40 C° to +70 C°. Antenna element is built into the wireless unit – no loss on cables. This device can handle the heaviest loads thanks to the impressive quad-core CPU and 256 MB of RAM. It has a Gigabit Ethernet port, an SFP port, and it is 802.3af/ at compliant – you can power it with the smart switches!

Don't let the distance limit your connectivity – choose **LHG XL 52 ac**, a perfect solution for rural areas, farms and huge parks!

[View online](#)



CRS312-4C+8XG-RM

Switch of the future: the first MikroTik product with 10G RJ45 Ethernet ports and SFP+

Remove the bottleneck from your network setup – it is time to upgrade that 1 Gigabit switch to something truly powerful and enjoy real speed. And it won't cost an arm and a leg – only \$599! Introducing **CRS312-4C+8XG-RM** – our first product with 10G RJ45 Ethernet ports. Moreover, it also has 4 x 10G combo ports: use them for 10G RJ45 Ethernet or 10G SFP+, when you need an additional fiber connection. Combo ports can be used alongside the 8 regular 10G RJ45 Ethernet ports at all times. These ports can also be software selected, so you can use RouterOS scripting, to decide which combo ports will be active.



This device is a practical solution for those who work with huge data files and need fast, capable connection 24/7: multimedia production, scientific research, game development, big data analysis and so on. **CRS312-4C+8XG-RM** has a dual power supply for redundancy – no unexpected downtime when the deadlines are looming. It has a full size USB, a console port for configuration and a 1U rackmount case – fits all the standard racks.



You can choose between our legendary feature-packed RouterOS for booting or a simpler, but still powerful SwOS. If you would like the ability to use routing and other Layer 3 features in your CRS, use RouterOS.

This switch has a great total non-blocking throughput of 120 Gbps, switching capacity of 240 Gbps and forwarding rate of 178 Mpps. **CRS312-4C+8XG-RM** – built for professionals, great for everyone!

[View online](#)

PWR-LINE PRO

PWR-LINE PRO (PL7510Gi) is a smart accessory to your existing network for places, where your signal or your cable is unable to reach. Usually data over power-lines would be capped at 100 Mbps, but with PWR-LINE PRO you can reach speed up to 600 Mbps!

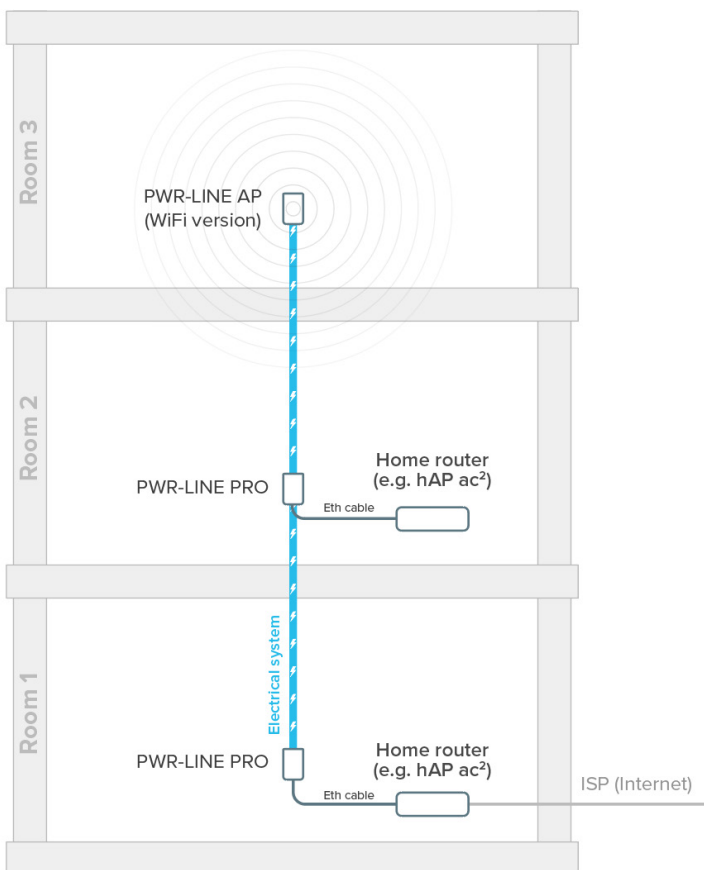
Simply plug this device directly into one of the LAN ports of your MikroTik router and add another one somewhere further in your premises. They will link together seamlessly through the power lines – now you have a perfectly stable network connection in that tricky spot where cable management would be maddening! You can install up to eight PWR-LINE devices to further build your network.

This product works best with other PL75xx series products, but is backwards compatible with PL64xx and PL74xx as well. PWR-LINE PRO – don't let the cables limit you!

\$59



[View online](#)

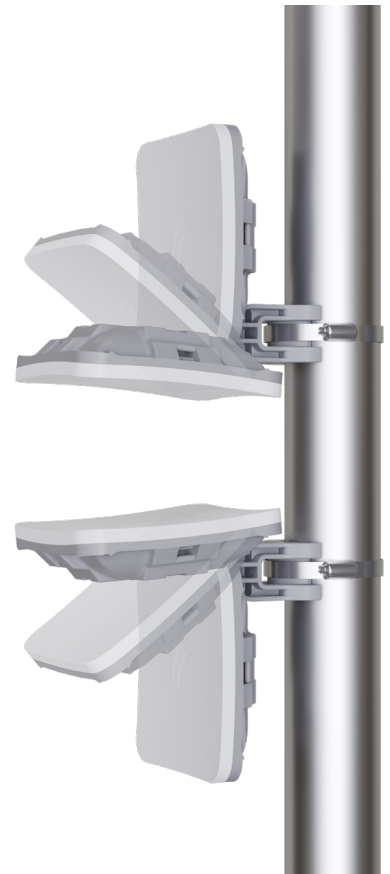


Compatible with other MikroTik devices!



quickMOUNT-X – additional axis for pole-mounting SXTsq devices

Recently we've seen a demand for additional pole-mounting options for our popular SXTsq devices. You ask – we deliver! The new **QM-X** adapter enables vertical and horizontal adjustment on the pole.



It is lightweight, easy to use, extremely durable and without any small parts that might break. Pick it up today for the price of a milkshake and enjoy simple positioning of your SXTsq devices like never before!

[View online](#)

5G mobile network

We are proud to announce the successful launch of the first functioning 5G mobile network in Latvia in cooperation with our local mobile network operator LMT. This partnership of two technology visionaries is a huge step forward for development of next-gen Internet of Things solutions, providing the speed and power necessary for artificial intelligence and enabling truly stable and secure remote operations.

We are currently developing unique 5G network solutions, including an industrial grade 5G wireless router, as well as an outdoors weatherproof router based on the wAP form-factor you all know and love.

More exciting news to follow, stay tuned as MikroTik is working hard to bring affordable, fast and secure 5G solutions worldwide!



MikroTik lifehack of the month

Many admins like to carry a [hAP mini](#) in their backpack – just in case. But recently Mike Pennacchi from Seattle showcased a real lightweight powerhouse – a combination of [hAP ac²](#) and a portable 12 V battery. In this case it is used to provide a safe VPN tunnel from a public Wi-Fi back to the office. Simple and smart!

hAP ac² really is a handy tool for many situations: dual-concurrent 2.4 / 5 GHz with Gigabit connections, USB port for external storage or a 4G / LTE modem, can be powered with passive PoE, easy to mount, supports IPsec Hardware encryption. An instant classic in routing the world, right?

Tell us about your best setups and lifehacks on our [Facebook](#) or [Twitter!](#)



Artificial intelligence and real speed

When we say our hAP ac is a truly universal access point, we REALLY mean it. It can be found in the most unimaginable setups.

Here's the scoop: artificial intelligence driving supercars in a crazy competition around the world. It's called Roborace – a project managed by Formula E champion Lucas Di Grassi. They aim to accelerate the development of autonomous software.

We are delighted to see our equipment as a part of such inventive project and wish the best of luck to the amazing team of passionate people at Roborace!

P.S. If you are also looking for an affordable dual concurrent triple chain 2.4 / 5 GHz access point with Gigabit ports, PoE out and USB port for extra storage or a 4G modem – make sure to check out our [hAP ac!](#)



Upcoming MUM events in 2019

Meet MikroTik staff, certified trainers, master distributors and top network engineers. Witness latest technology demos and receive answers to all your networking questions!

Admission is FREE. There is no minimum attendance requirement, we welcome novice users and seasoned professionals. People of all skill levels will find something useful at the MUM. Any questions? Do not hesitate to contact us!



Bogota, Colombia, August 09

Quito, Ecuador, August 12

Moscow, Russia, September 06 - 07

Chisinau, Moldova, September 10

Lisbon, Portugal, September 20



Markham, Toronto, Canada,
September 24

Shenzhen, China, October 19

Kuta, Bali, Indonesia, October 24 - 25

Foz do Iguacu, Brazil, November
28 - 29

Santa Cruz de la Sierra, Bolivia,
December 03